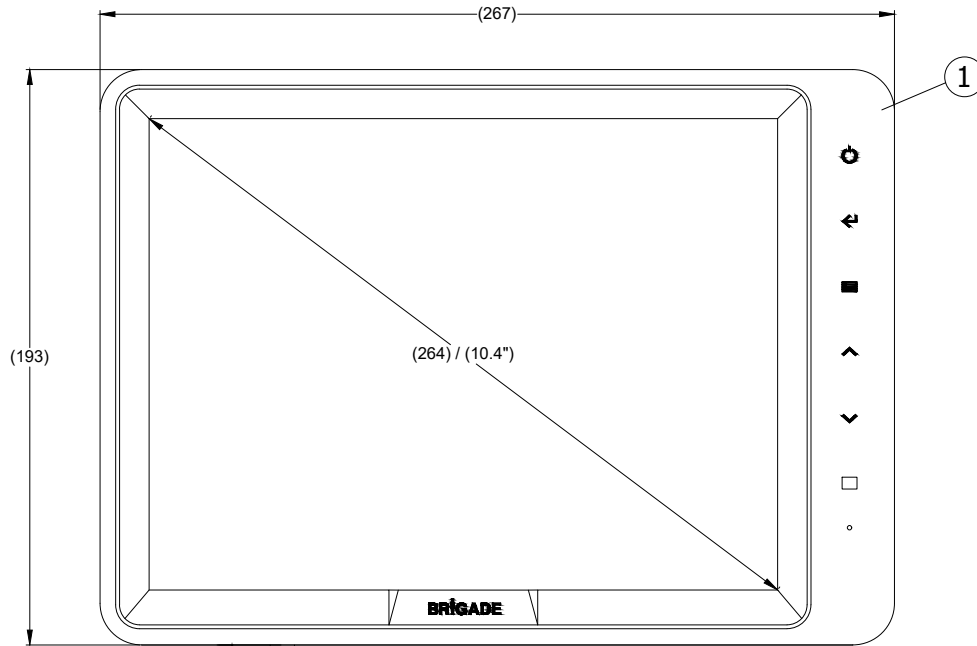


Revision Notes.

R1 -

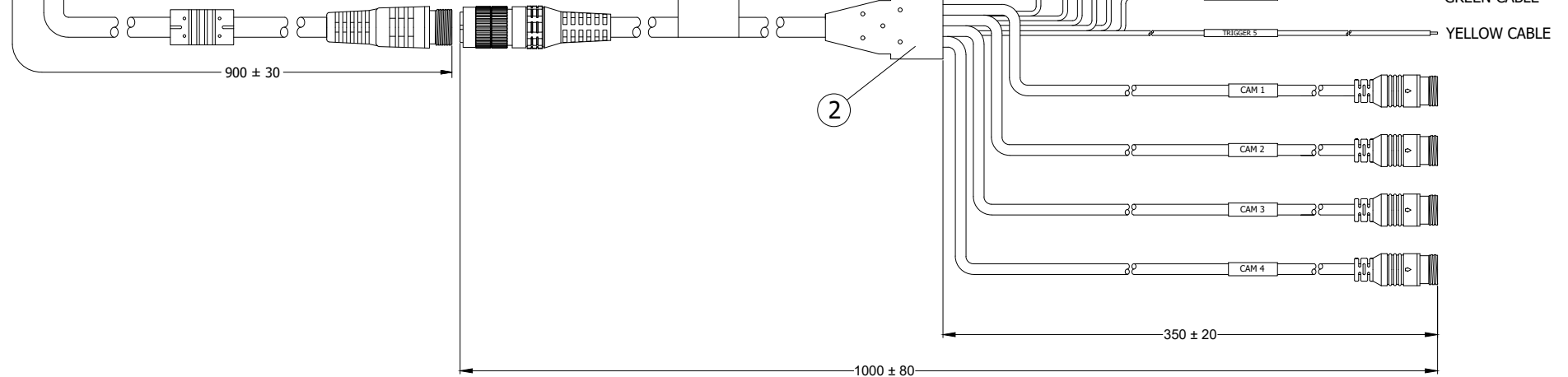
APA: - Drawn:- Checked:- Approved:- Date: --/--/----



ITEM	PART NO.	QTY	MODEL NO.	DESCRIPTION
①	(6058)	1	VBV-7104HFM-M	MONITOR ONLY
②	(6357)	1	VBV-7XXHFM-CA	CABLE ADAPTER
③	(4457)	1	VBV-7104FM-SS	SUNSHIELD (NOT SHOWN)
④	(4465)	1	BMM-023	'U' BRACKET & FIXINGS (NOT SHOWN)
⑤	(6356)	1	VBV-7104HFM-IG	INSTALLATION GUIDE (NOT SHOWN)
⑥	(4458)	2	VBV-7104FM-PL1	LARGE MONITOR PLUG (NOT SHOWN)
⑦	(4459)	2	VBV-7104FM-PL2	SMALL MONITOR PLUG (NOT SHOWN)

TO CABLE ENTRY ON REAR OF MONITOR.

WATERPROOF MINI FUSE WITH 3A FUSE FITTED



- NOTES:
- REFER TO COMPONENT DRAWINGS FOR COMPONENT DETAIL.
 - FOR PRODUCT LABEL AND PACKAGING DETAIL REFER TO MASTER BOM.

PROPRIETARY NOTICE
 THIS DESIGN AND TECHNICAL INFORMATION APPEARING ON THIS DRAWING IS THE PROPERTY OF BRIGADE ELECTRONICS, AND IS DISCLOSED IN CONFIDENCE. IT IS NOT TO BE COPIED, REPRODUCED, REVEALED TO OR EXPROPRIATED BY OTHERS, EITHER IN WHOLE OR IN PART WITHOUT THE EXPRESS WRITTEN CONSENT OF BRIGADE ELECTRONICS.



Assembly Pl Approval w.wu (13/11/2020)	Approved by S.LAVER	Checked by S.GOVENDER	Drawn by J.STEWART
<p>Angle of Projection Third-Angle</p>	Units mm	Scale N/A	Released 16/11/20
	Status APPROVED	Assembly Ref VBV-7104HFM	
Part No 6057	BE-004467-00-20		